

Mainsail:

Luff 1735 mm
 Foot 1515 mm
 Head 1400 mm
 Leech 2760 mm
 Area 2.865 m²

Jib:

Luff 2200 mm
 Foot 950 mm
 Leech 1870 mm
 LP 801 mm
 Area 0.881 m²

Notes:

Mast is same dimensions as balanced lug mast, but top 30mm is shouldered down to Ø38 and fitted with a 4-eye or 2-eye band.

No sheave in mast.

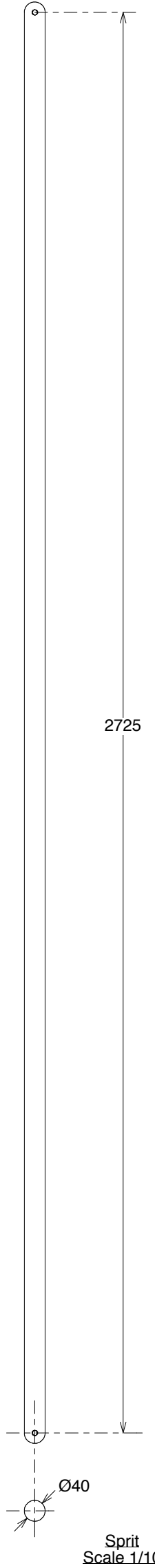
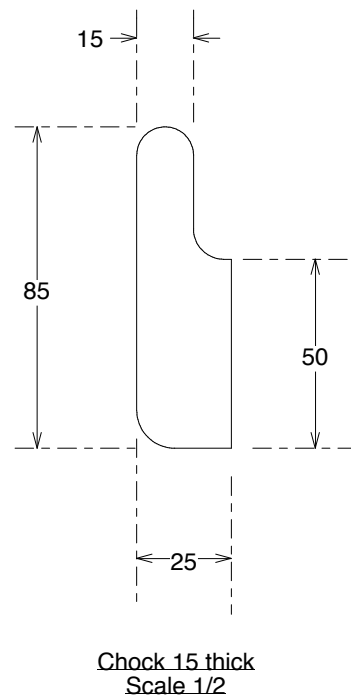
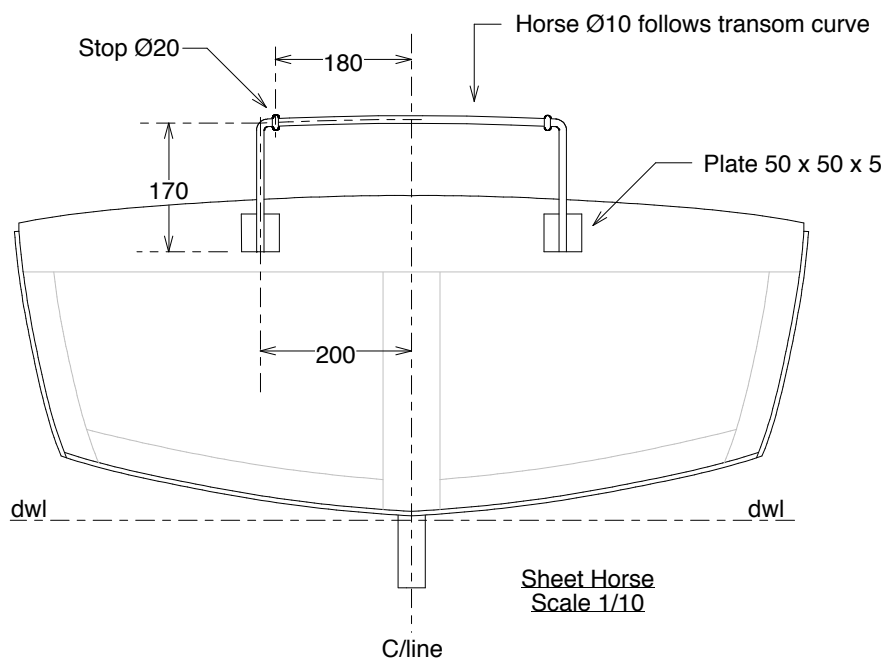
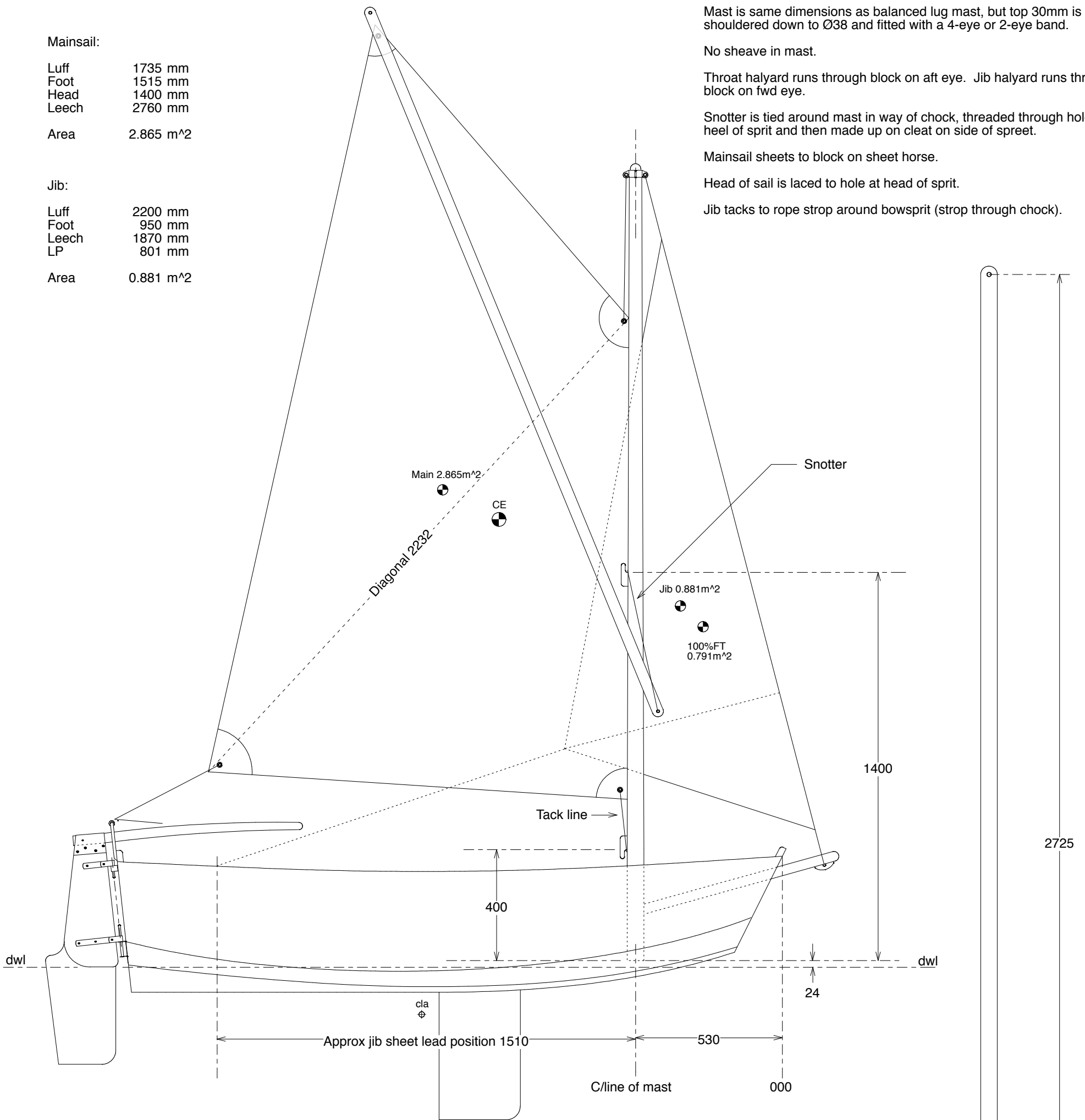
Throat halyard runs through block on aft eye. Jib halyard runs through block on fwd eye.

Snotter is tied around mast in way of chock, threaded through hole at heel of sprit and then made up on cleat on side of spreet.

Mainsail sheets to block on sheet horse.

Head of sail is laced to hole at head of sprit.

Jib tacks to rope stop around bowsprit (strop through chock).



Whisstock support@whisstock.com
 boats and boat plans

| | |
|---|-----------------------|
| Design 035 Spritsail Rig Sail Plan | Scale 1/2, 1/0 & 1/15 |
| | Date Aug 01 2015 |
| | Plan No. 035/011/01 |
| | Issue No. 01 web |
| © Debenriver Ltd 2015 All Rights Reserved | |
| All dimensions in millimetres unless otherwise noted | |