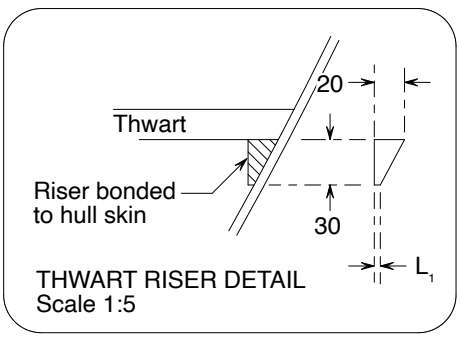


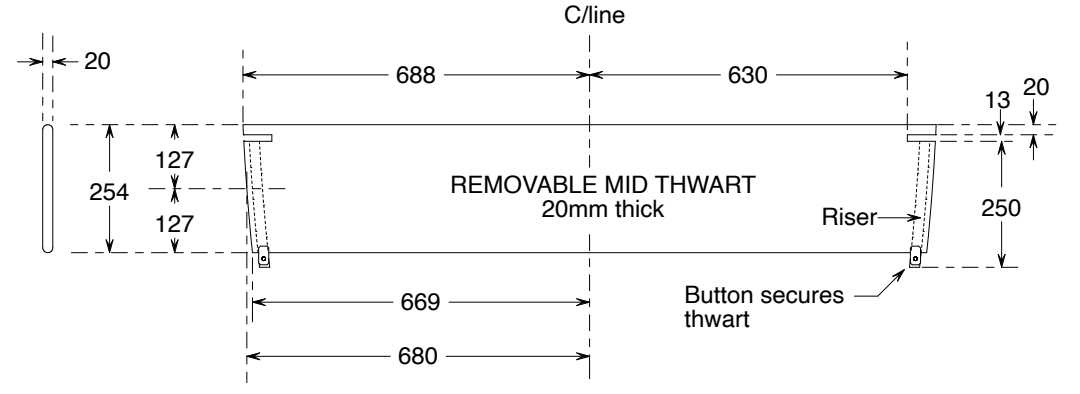
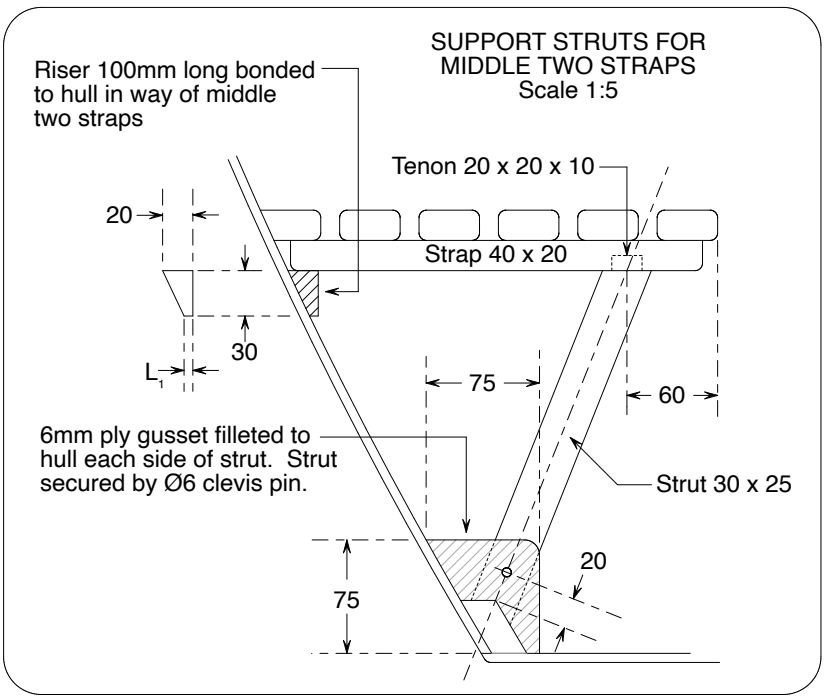
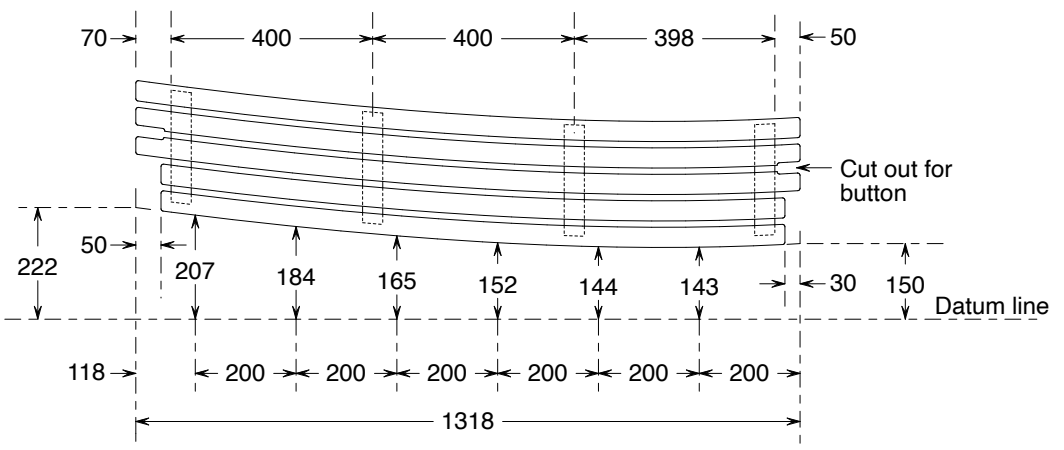
- General Notes:
1. The Zero Point is the intersection of the DWL with the Stem Face.
 2. Positions are measured from the Zero Point (aft = -ve).
 3. Offsets are measured from the Centreline.
 4. Heights are measured from the DWL (below = -ve).
 5. The bottom is flat athwartships so the Height is constant from Chine to Centreline.

L_r for risers:
 Thwart 4mm
 Fwd side bench strap 6mm
 Aft side bench strap 5mm



These are the dimensions of the top of the thwart. 11mm bevel off the ends (and the end of the slots) on the underside.

OPTIONAL SIDE BENCHES



Slats 40 x 20 with 12:5 gaps. Outer slat bevelled 11mm on underside. Straps 30 x 20 set 10mm back from inner edge and 20mm back from outer edge.

See instructions for detail of securing both side benches and thwart,

