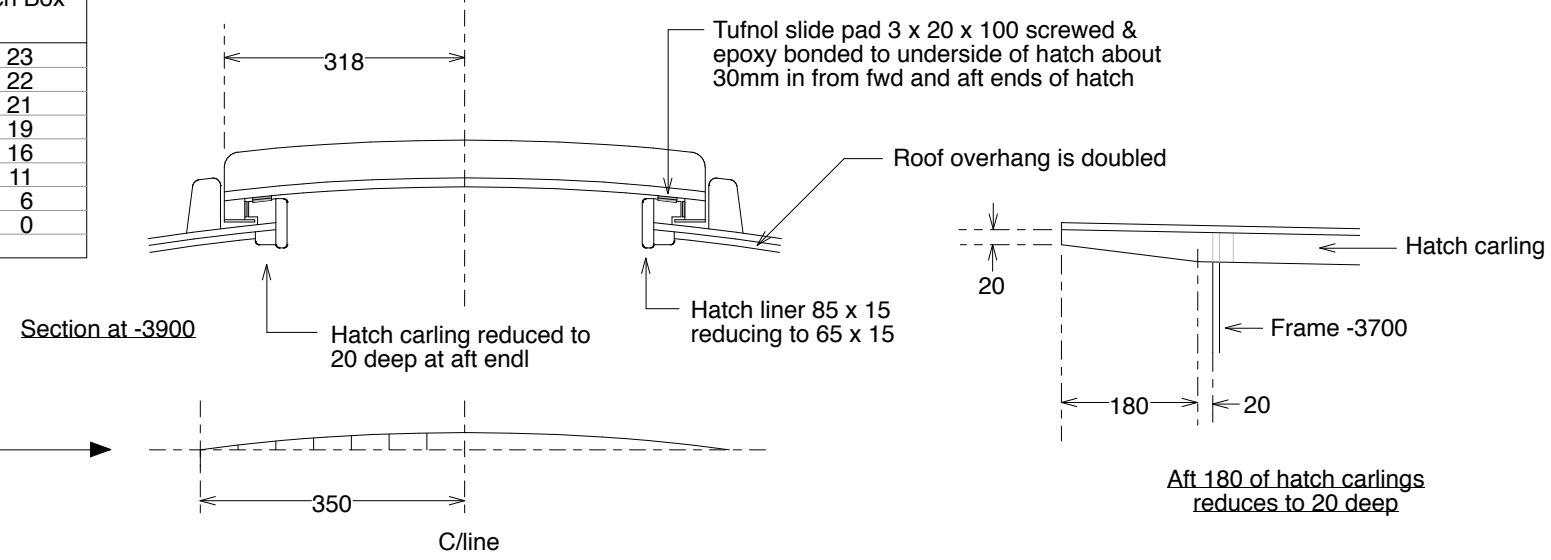


Hatch & Hatch Box Shape	
C/line	23
b 50	22
b 100	21
b 150	19
b 200	16
b 250	11
b 300	6
b 350	0



Notes:

Hatch and hatch box are laminated up on jig to height data given. Alternatively laminate up on top of doghouse roof, using roof as jig.

Hatch and box components (hatch handle, hatch fwd end & hatch box aft stiffener) should be laminated from 5mm laminates as detailed. Other components can be cut to shape from solid. Alternatively all curved components can be made from vertical layers of ply cut to shape.

Hatch box sits in rebate in doghouse roof runner and fwd end. Alternatively, cut runner and end down by 12mm (i.e. no rebate) and let box run out to outer edges; radius off edges of box. In this case, remember to make box top a little longer to allow for extra length at fwd end. Jig data already makes it over-width.

Whisstock support@whisstock.com
boats and boat plans

Design 165
Main Hatch Sections and Detail

Scale 1/10 & 1/2
Date 21 Sep 2015
Plan No. 165/009/011
Issue No. 01

All dimensions in millimetres unless otherwise noted

© Debenriver Ltd 2015 All Rights Reserved